

Product data sheet

Specifications

SQUARE D

Green
Premium™



QOM2 Circuit Breaker Enclosure, 2P, Type 3R, 100-225A, CSA, UL

QOM22225NRB

Product availability : Stock - Normally stocked in distribution facility

Price* : 440.00 USD

Main

Product Type Enclosure

Range of Product QO

Complementary

Current Rating 225 A
100...225 A

Number of Poles 2P

Enclosure Rating NEMA 3R outdoor

Breaker Compatibility Circuit breaker QOM2

Product Certifications CSA
UL

Voltage Rating 240 V AC

Tightening Torque 50 lb.in, AWG 3...AWG 2/0
45 lb.in, AWG 6...AWG 4
40 lb.in, AWG 8
35 lb.in, AWG 14...AWG 10

Enclosure Material Steel

Height 24.76 in (629 mm)

Width 8.54 in (217 mm)

Depth 4.17 in (106 mm)

Ordering and shipping details

Category 00005-QO,Q2L 2P ENCL & BREAKERS

Discount Schedule DE2A

GTIN 785901328872

Returnability Yes

Country of origin MX

Packing Units

Unit Type of Package 1 Db

Number of Units in Package 1 1

* Price is "List Price" and may be subject to a trade discount – check with your local distributor or retailer for actual price.

Package 1 Height	4.00 in (10.16 cm)
Package 1 Width	5.50 in (13.97 cm)
Package 1 Length	6.40 in (16.256 cm)
Package 1 Weight	14.34 lb(US) (6.505 kg)
Unit Type of Package 2	PAL
Number of Units in Package 2	42
Package 2 Height	46.00 in (116.84 cm)
Package 2 Width	40.00 in (101.6 cm)
Package 2 Length	48.00 in (121.92 cm)
Package 2 Weight	623.00 lb(US) (282.588 kg)

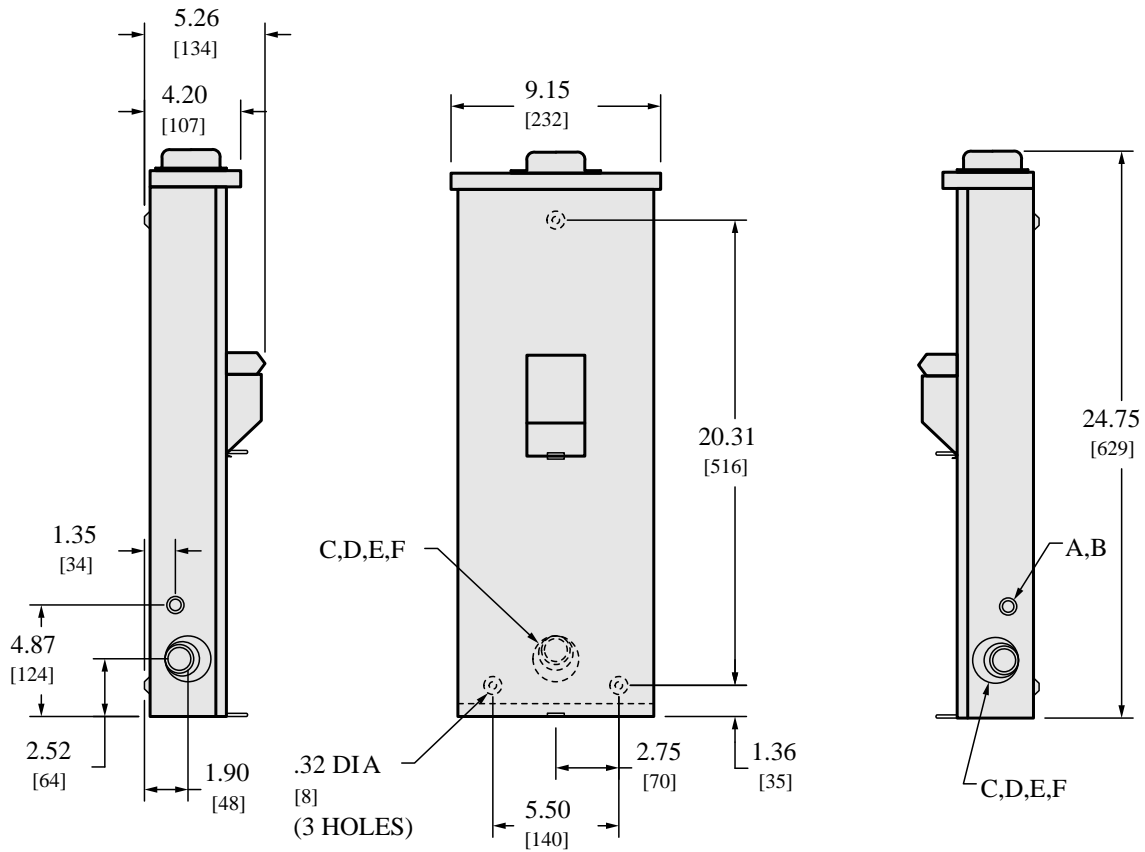
Offer Sustainability

Sustainable offer status	Green Premium product
California proposition 65	WARNING: This product can expose you to chemicals including: Lead and lead compounds, which is known to the State of California to cause cancer and birth defects or other reproductive harm. For more information go to www.P65Warnings.ca.gov
REACH Regulation	REACH Declaration
EU RoHS Directive	Compliant EU RoHS Declaration
Mercury free	Yes
China RoHS Regulation	China RoHS declaration Product out of China RoHS scope. Substance declaration for your information.
RoHS exemption information	Yes
Environmental Disclosure	Product Environmental Profile
PVC free	Yes
Halogen content performance	Halogen free plastic parts product

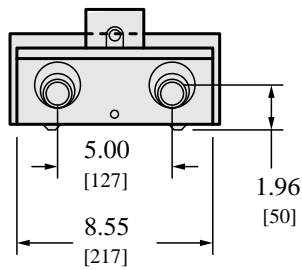
Contractual warranty

Warranty	18 months
-----------------	-----------

Dimensions



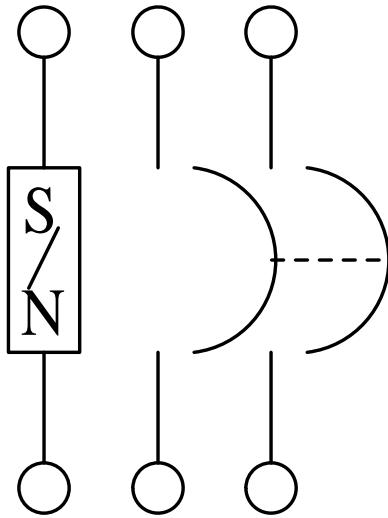
IN.
[mm]



SYMBOL	CONDUIT SIZE		DIAMETER	
	IN	MM	IN	MM
A	.50	13	.88	22
B	.75	19	1.13	29
C	1.00	25	1.38	35
D	1.25	32	1.75	45
E	1.50	38	2.00	51
F	2.00	51	2.50	64

All dimensions are approximate. Refer to technical drawings and documentation.

Wiring Diagram



QOM2225NRB

Recommended replacement(s)