

Product data sheet

Specifications

SQUARE D

Green Premium™



Safety switch, general duty, fusible, 60A, 3 poles, 15 hp, 240 VAC, NEMA 1, neutral factory installed

D322N

Product availability : Stock - Normally stocked in distribution facility

Price* : 326.00 USD

Main

Product	Single Throw Safety Switch
Duty Rating	General duty
Device Application	Residential
Disconnect Type	Fusible disconnect switch
Factory Installed Neutral	Neutral (factory installed)
Phase	3 phase
Number of Poles	3
Current Rating	60 A
Voltage Rating	240 V AC
Enclosure Rating NEMA	NEMA 1
Motor power hp	1.5 hp at 120 V AC 60 Hz for 1 phase motors 3 hp at 120 V AC 60 Hz for 3 phase motors 3 hp at 240 V AC 60 Hz for 1 phase motors 7.5 hp at 240 V AC 60 Hz for 3 phase motors 10 hp at 240 V AC 60 Hz for 1 phase motors 15 hp at 240 V AC 60 Hz for 3 phase motors

Complementary

Short Circuit Current Rating	100 kA maximum depending on fuse H, K or R
Fuse type	H, K or R
Mounting Type	Surface
Electrical Connection	Lugs
Wiring configuration	4-wire (3PH + G)
Wire Size	AWG 12...AWG 3 aluminium AWG 14...AWG 3 copper
Tightening torque	35 lbf.in (3.95 N.m) 0.00...0.01 in ² (2.08...5.26 mm ²) (AWG 14...AWG 10) 45 lbf.in (5.08 N.m) 0.01 in ² (8.37 mm ²) (AWG 8) 45 lbf.in (5.08 N.m) 0.02...0.03 in ² (12.3...21.12 mm ²) (AWG 6...AWG 4) 50 lbf.in (5.65 N.m) 0.04 in ² (26.67 mm ²) (AWG 3)
Depth	4.87 in (123.70 mm)
Width	7.45 in (189.23 mm)
Height	14.88 in (377.95 mm)
Net Weight	8.82 lb(US) (4 kg)

* Price is "List Price" and may be subject to a trade discount – check with your local distributor or retailer for actual price.

Environment

Certifications UL listed file E2875

Ordering and shipping details

Category 00006-D & DU SW, NEMA1, 30-200A

Discount Schedule DE1A

GTIN 785901461234

Returnability Yes

Country of origin US

Packing Units

Unit Type of Package 1 Db

Number of Units in Package 1 1

Package 1 Height 5.20 in (13.208 cm)

Package 1 Width 7.60 in (19.304 cm)

Package 1 Length 16.20 in (41.148 cm)

Package 1 Weight 7.93 lb(US) (3.597 kg)

Unit Type of Package 2 PAL

Number of Units in Package 2 120

Package 2 Height 45.50 in (115.57 cm)

Package 2 Width 40.00 in (101.6 cm)

Package 2 Length 48.00 in (121.92 cm)

Package 2 Weight 982.00 lb(US) (445.427 kg)

Offer Sustainability

Sustainable offer status Green Premium product

California proposition 65 WARNING: This product can expose you to chemicals including: Lead and lead compounds, which is known to the State of California to cause cancer and birth defects or other reproductive harm. For more information go to www.P65Warnings.ca.gov

REACH Regulation [REACH Declaration](#)

REACH free of SVHC Yes

EU RoHS Directive Compliant
[EU RoHS Declaration](#)

Mercury free Yes

China RoHS Regulation [China RoHS declaration](#)
Product out of China RoHS scope. Substance declaration for your information.

RoHS exemption information Yes

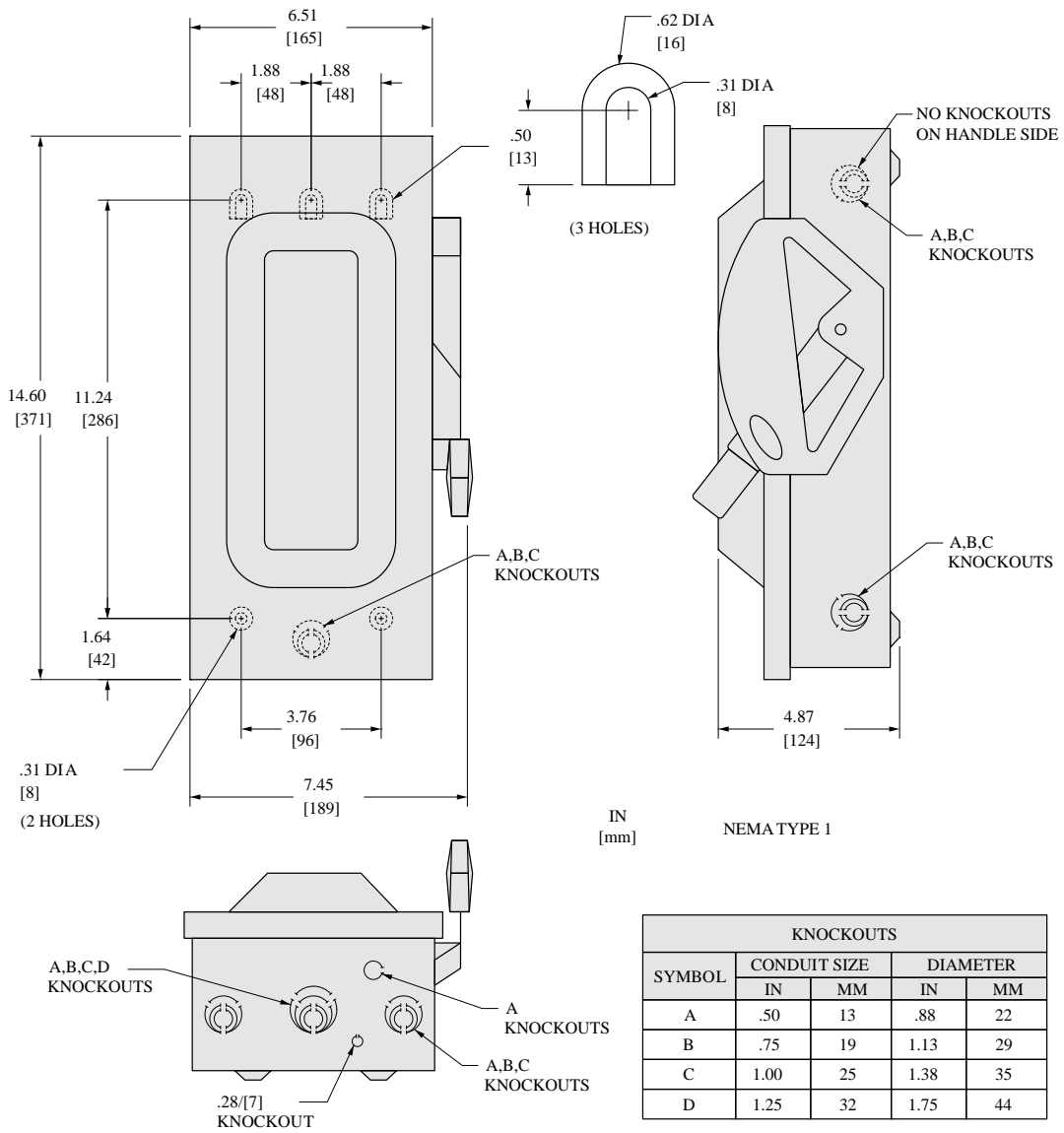
Environmental Disclosure [Product Environmental Profile](#)

PVC free Yes

Contractual warranty

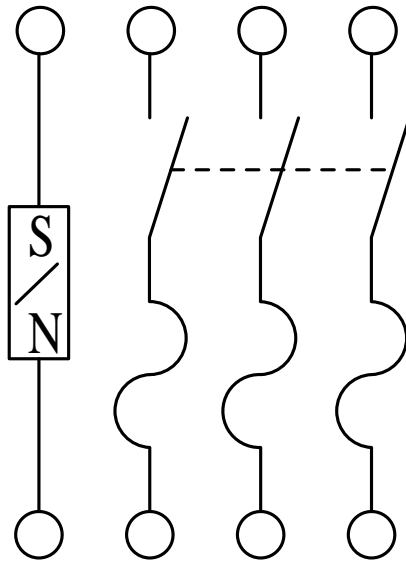
Warranty 18 months

Dimensions



ALL DIMENSIONS ARE APPROXIMATE.
 WHEN MOUNTING THESE SWITCHES, ALLOW 3.00/[76] MINIMUM CLEARANCE BETWEEN
 ENCLOSURES FOR OPENING OF SIDE HINGED DOOR.
 REFER TO TECHNICAL DRAWINGS AND DOCUMENTS.

FUSIBLE



D322N

Recommended replacement(s)