

# Product data sheet

Specifications

SQUARE D

Green Premium™



Mini circuit breaker, QO, 30A, 2 pole, 120/240VAC, 10kA, 6mA grd fault A, pigtail, plug in mount

QO230GFI

Product availability : Stock - Normally stocked in distribution facility

**Price\* : 413.00 USD**

## Main

Product	Miniature circuit-breaker
Range	QO
Current Rating	30 A
Voltage Rating	120/240 V AC 120 V AC
Mounting Type	Plug-in
Number of Poles	2P
Circuit Breaker Type	Ground fault protecting class A 6 mA
Ratings	Not rated
Electrical Connection	Pressure plate

## Complementary

Interrupt Rating	10 kA 120/240 V AC 50/60 Hz 10 kA 120 V AC 50/60 Hz
Number of Panel Spaces	2
Wire Size	AWG 14...AWG 8 copper AWG 12...AWG 8 aluminium
Tightening Torque	40.71 lbf.in (4.6 N.m) 0.00...0.02 in <sup>2</sup> (2.5...10 mm <sup>2</sup> ) (AWG 16...AWG 14) 40.71 lbf.in (4.6 N.m) 0.01...0.03 in <sup>2</sup> (4...20 mm <sup>2</sup> ) (AWG 12...AWG 4)
Height	4.13 in (105 mm)
Width	1.50 in (38 mm)
Depth	2.91 in (74 mm)
Net Weight	0.72 lb(US) (0.327 kg)

## Environment

Certifications	UL Listed CSA
Ambient Rating	104 °F (40 °C)

## Ordering and shipping details

Category	00003-QO 1&2 POLE GFI CB 30A MAX
Discount Schedule	DE2A

\* Price is "List Price" and may be subject to a trade discount – check with your local distributor or retailer for actual price.

GTIN	785901563006
Returnability	Yes
Country of origin	MX

## Packing Units

Unit Type of Package 1	Db
Number of Units in Package 1	1
Package 1 Height	3.60 in (9.144 cm)
Package 1 Width	2.20 in (5.588 cm)
Package 1 Length	5.40 in (13.716 cm)
Package 1 Weight	15.20 oz (430.91 g)
Unit Type of Package 2	CAR
Number of Units in Package 2	33
Package 2 Height	5.50 in (13.97 cm)
Package 2 Width	13.60 in (34.544 cm)
Package 2 Length	20.90 in (53.086 cm)
Package 2 Weight	32.12 lb(US) (14.569 kg)

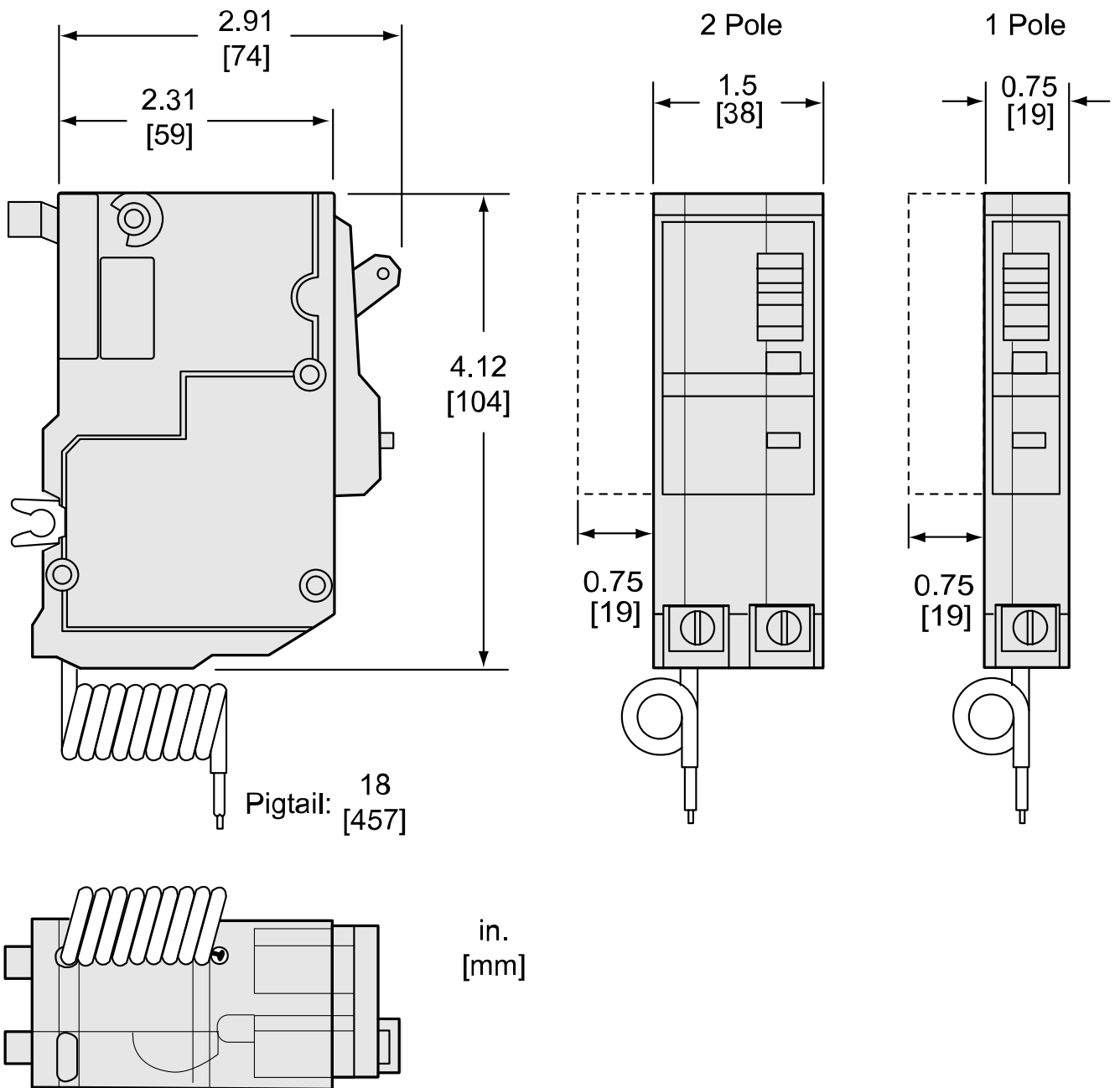
## Offer Sustainability

Sustainable offer status	Green Premium product
California proposition 65	WARNING: Cancer and Reproductive Harm - <a href="http://www.P65Warnings.ca.gov">www.P65Warnings.ca.gov</a>
REACH Regulation	<a href="#">REACH Declaration</a>
EU RoHS Directive	Compliant <a href="#">EU RoHS Declaration</a>
Mercury free	Yes
China RoHS Regulation	<a href="#">China RoHS declaration</a> Product out of China RoHS scope. Substance declaration for your information.
RoHS exemption information	Yes
Environmental Disclosure	<a href="#">Product Environmental Profile</a>
Circularity Profile	<a href="#">End of Life Information</a>

## Contractual warranty

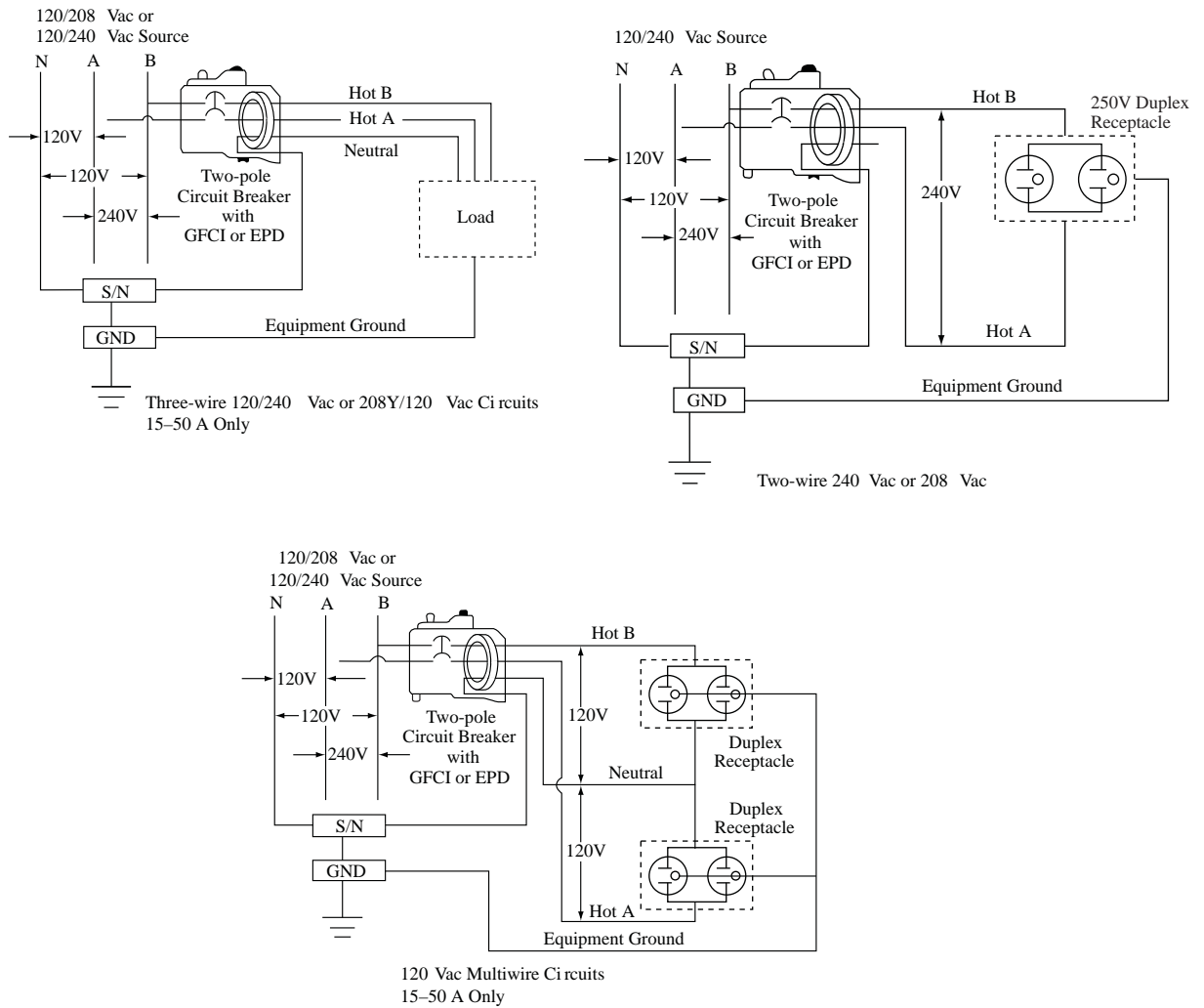
Warranty	18 months
----------	-----------

Dimensions



Wiring Diagram

Typical Two-Pole GFCI Wiring



Recommended replacement(s)