

Product data sheet

Specifications

SQUARE D

Green Premium™



Circuit breaker, PowerPacT Q, 225A, 3 pole, 240VAC, 10kA, lugs, thermal magnetic, 80%

QBL32225

Product availability : Stock - Normally stocked in distribution facility

Price* : 1,248.00 USD

Main

Range	PowerPact
Product name	PowerPact Q
Product or Component Type	Circuit breaker
Device Application	Distribution

Complementary

Line Rated Current	225 A
Number of Poles	3P
Control type	Operating handle
Breaking capacity code	B
Breaking capacity	10 kA 120/208 V AC 50/60 Hz UL 10 kA 240 V AC 50/60 Hz UL
[Ue] rated operational voltage	240 V AC 50/60 Hz UL
Network Frequency	50/60 Hz
[Uimp] rated impulse withstand voltage	8 kV UL
Trip unit technology	Thermal-magnetic
Magnetic tripping current	2400 A
Magnetic hold current	1200 A
Continuous current rating	80 %
Utilisation category	Category A
Mechanical durability	1000 cycles loaded 5000 cycles no load
Local signalling	1 trip indicator (green)
Mounting mode	Unit mount (lug)
Mounting Support	Lug
Electrical connection	Lugs load Lugs line
Tightening torque	247.82 lbf.in (28 N.m) 0.04...0.23 in ² (25...150 mm ²) (AWG 4...300 kcmil)
Power wire stripping length	0.87 in (22 mm)

* Price is "List Price" and may be subject to a trade discount – check with your local distributor or retailer for actual price.

Height	6.47 in (164.34 mm)
Width	4.5 in (114.30 mm)
Depth	3.93 in (99.82 mm)
Circuit breaker application	HACR rated

Environment

Standards	UL CSA NEMA NOM-003-SCFI-2000
Product certifications	UL CSA NOM
Ambient Air Temperature for Operation	104...158 °F (40...70 °C)

Ordering and shipping details

Category	00023-QO,Q2L 3P ENCL & BREAKERS
Discount Schedule	DE2
GTIN	785901417880
Returnability	Yes
Country of origin	MX

Packing Units

Unit Type of Package 1	Db
Number of Units in Package 1	1
Package 1 Height	6.20 in (15.748 cm)
Package 1 Width	6.10 in (15.494 cm)
Package 1 Length	9.80 in (24.892 cm)
Package 1 Weight	4.73 lb(US) (2.145 kg)
Unit Type of Package 2	PAL
Number of Units in Package 2	450
Package 2 Height	40.00 in (101.6 cm)
Package 2 Width	40.00 in (101.6 cm)
Package 2 Length	48.00 in (121.92 cm)
Package 2 Weight	2183.00 lb(US) (990.191 kg)

Offer Sustainability

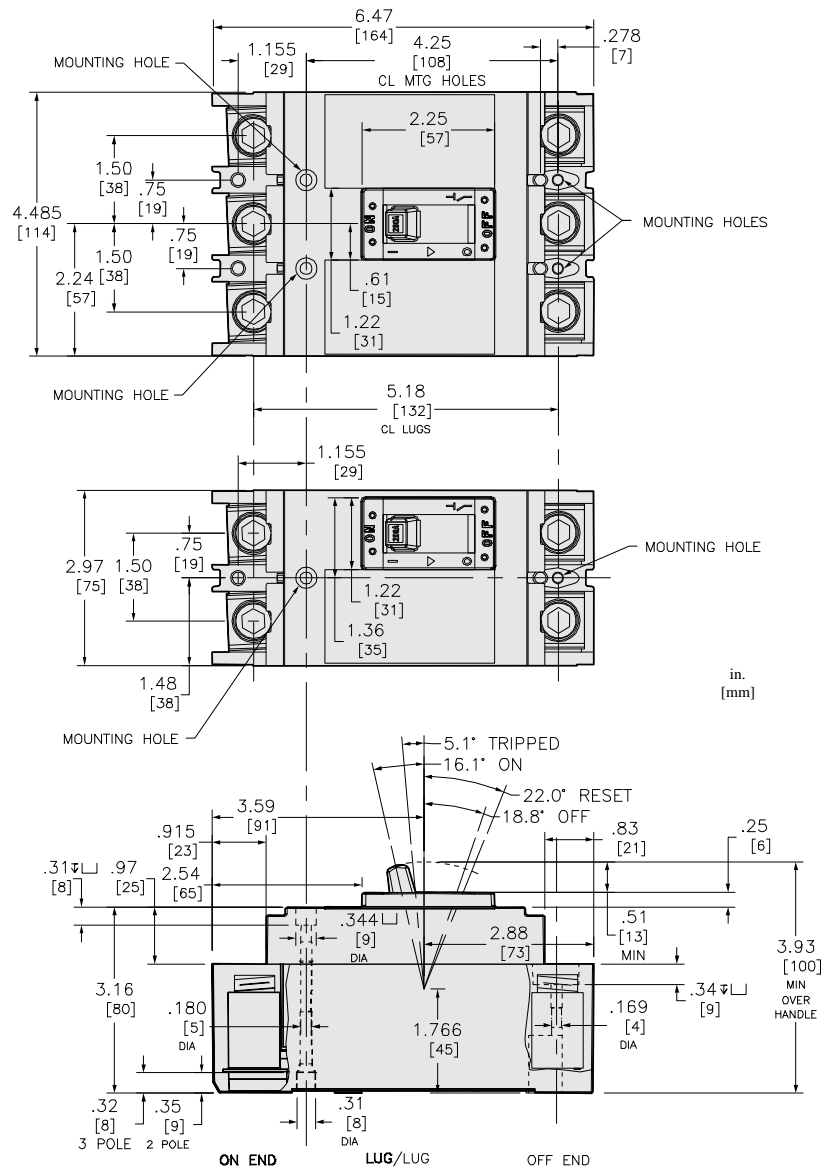
Sustainable offer status	Green Premium product
California proposition 65	WARNING: This product can expose you to chemicals including: DINP, which is known to the State of California to cause cancer, and DIDP, which is known to the State of California to cause birth defects or other reproductive harm. For more information go to www.P65Warnings.ca.gov
REACH Regulation	REACH Declaration
REACH free of SVHC	Yes
EU RoHS Directive	Compliant EU RoHS Declaration
Mercury free	Yes
China RoHS Regulation	China RoHS declaration Product out of China RoHS scope. Substance declaration for your information.

RoHS exemption information	Yes
Environmental Disclosure	Product Environmental Profile
PVC free	Yes
Halogen content performance	Halogen free product

Contractual warranty

Warranty	18 months
-----------------	-----------

Dimensions



ALL DIMENSIONS ARE APPROXIMATE.
 ALSO SEE TECHNICAL DRAWINGS AND DOCUMENTATION.

Recommended replacement(s)